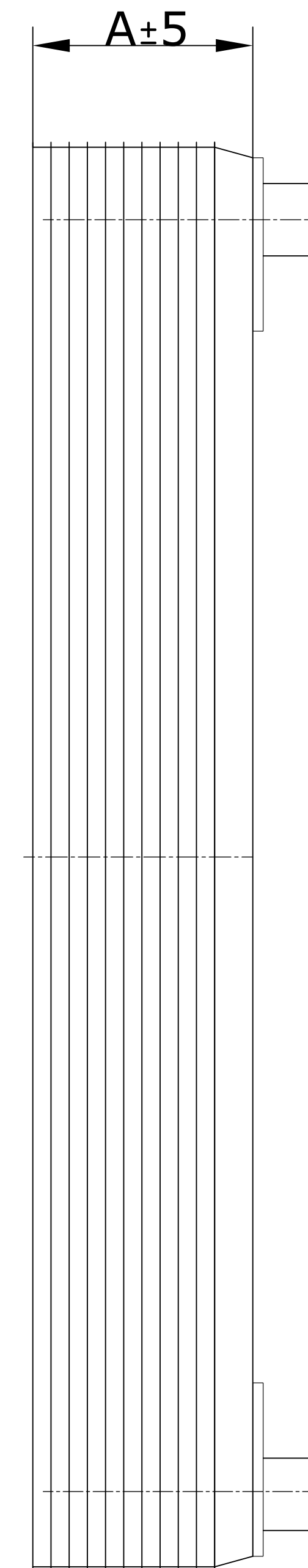
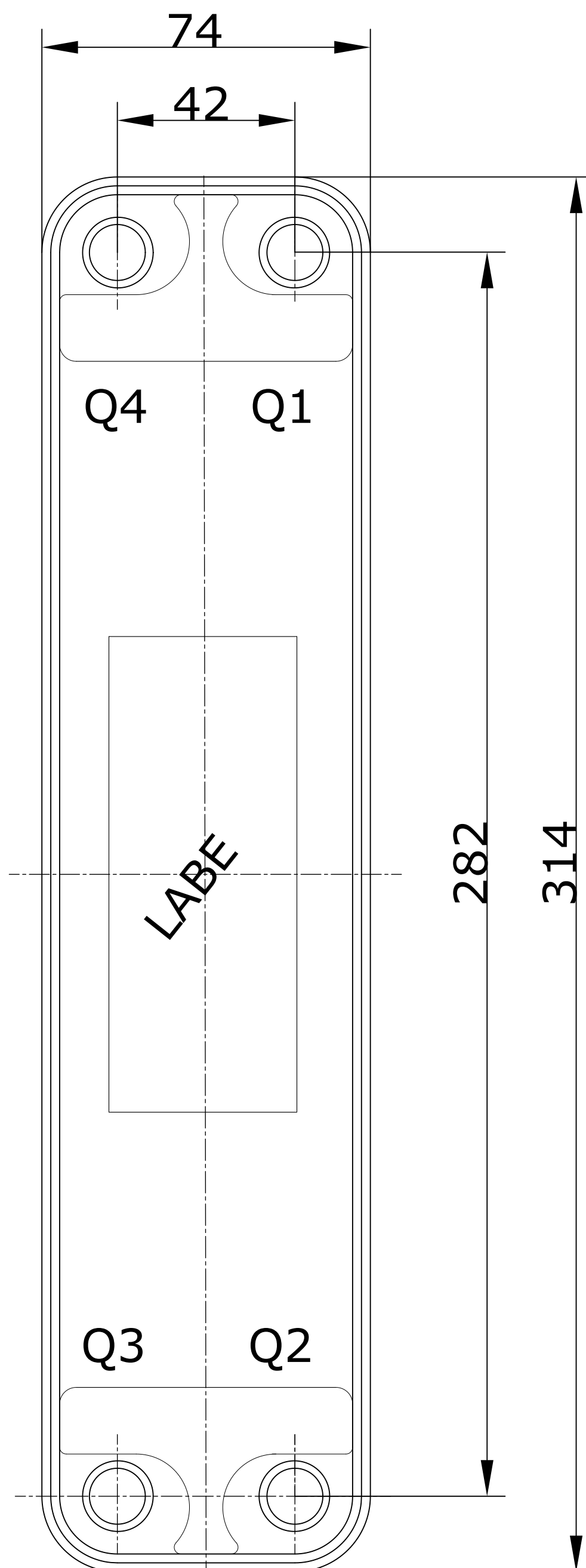
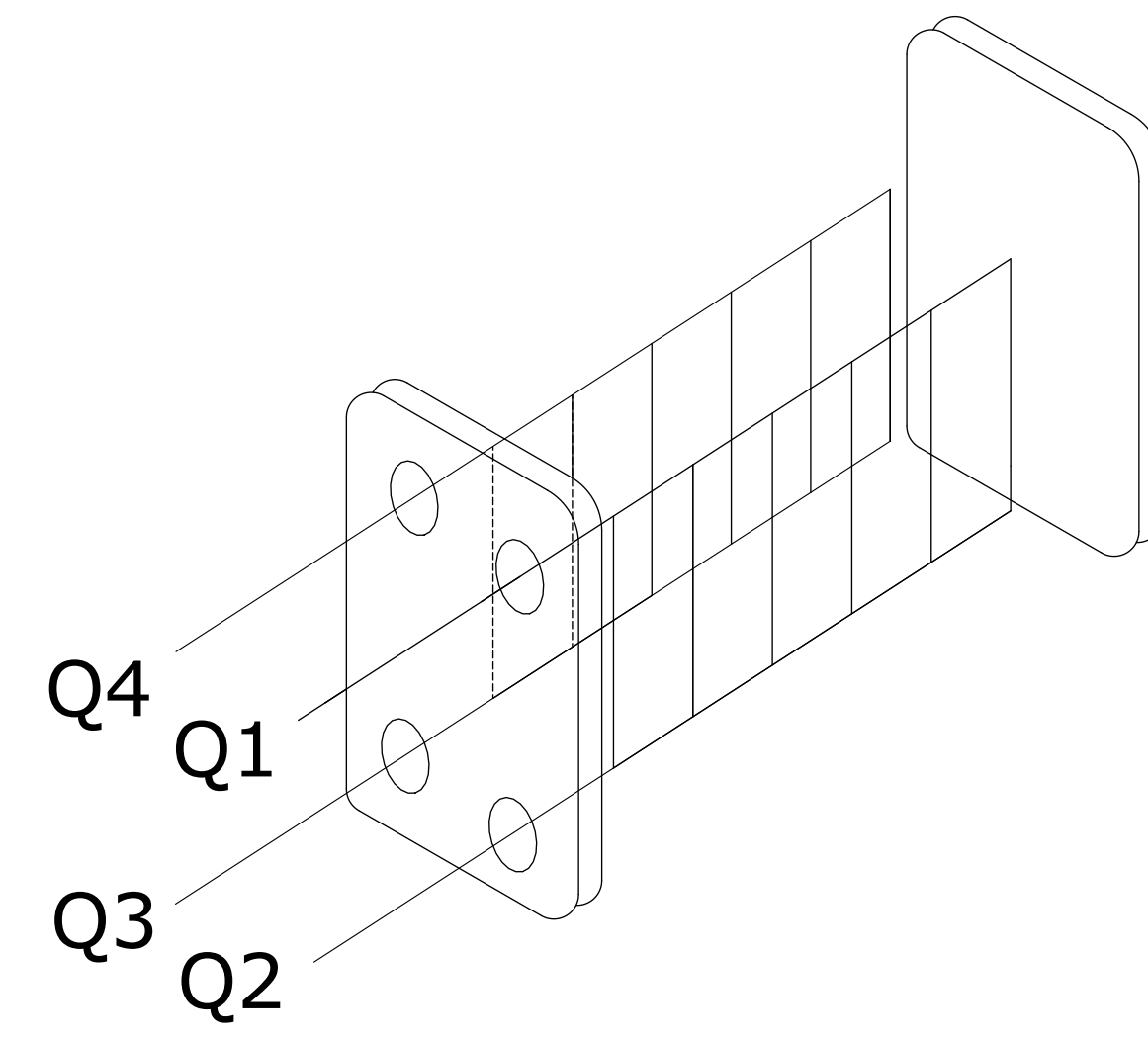
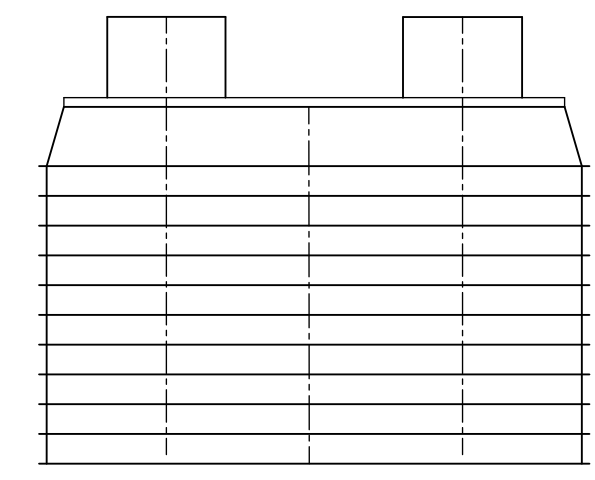
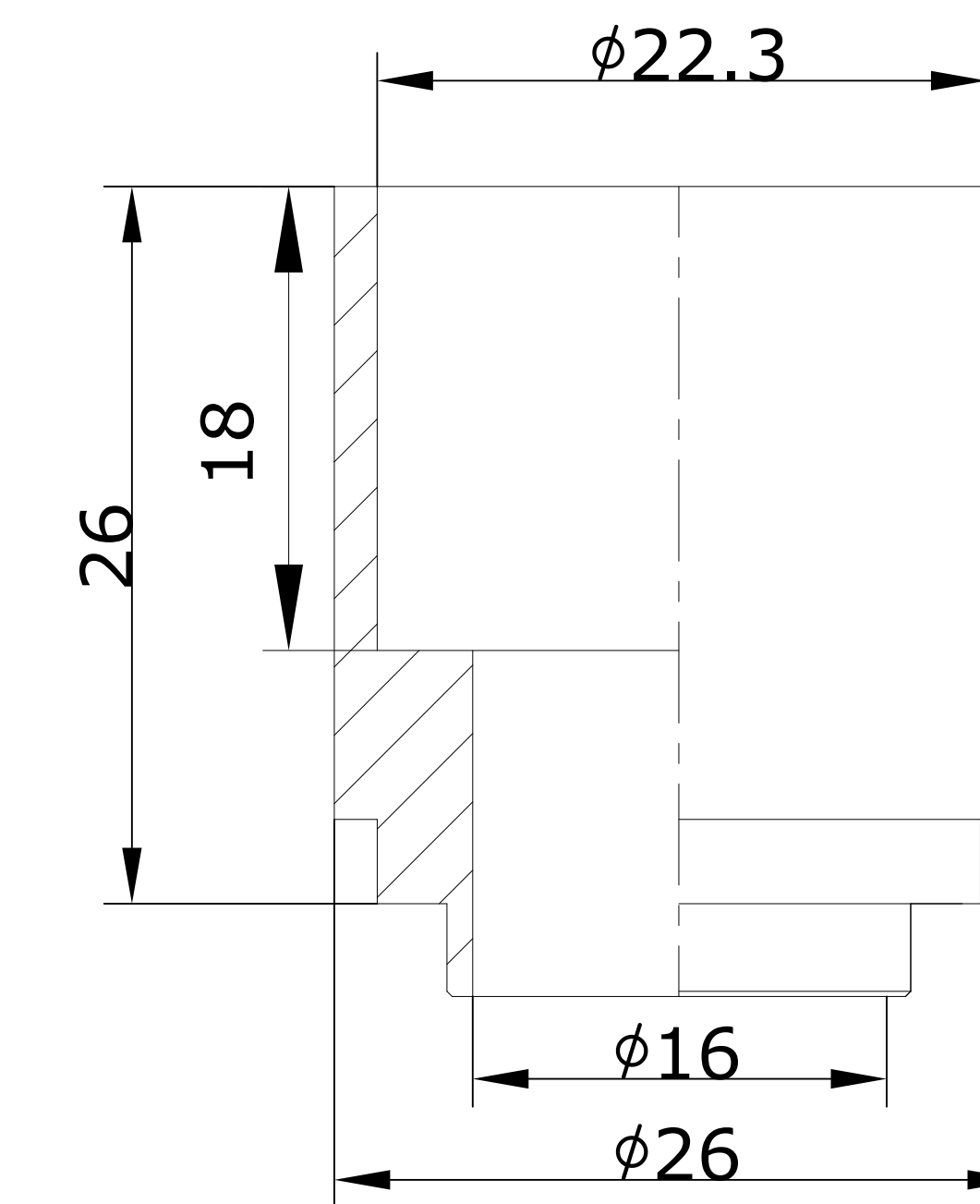
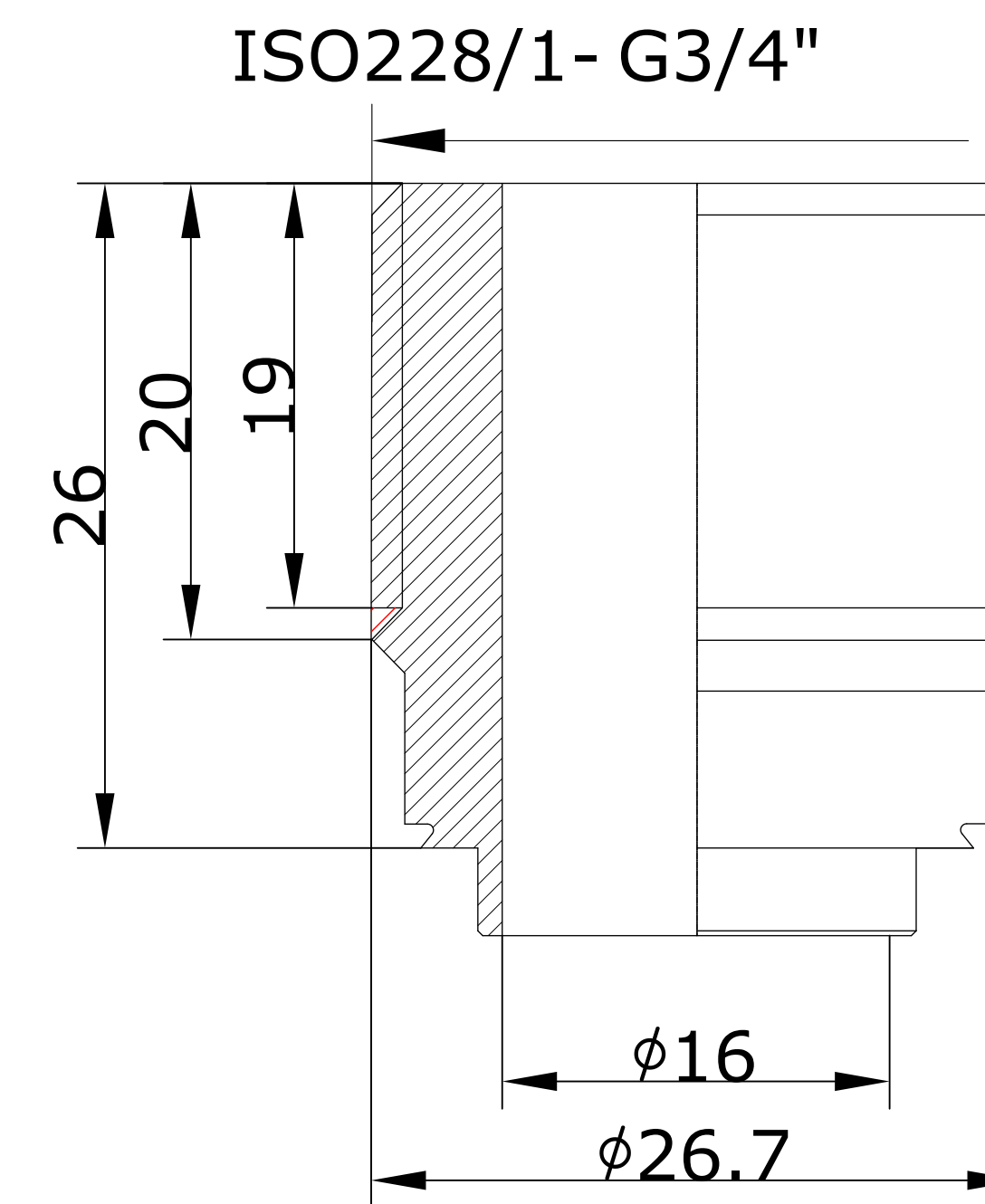


CONTROLLED




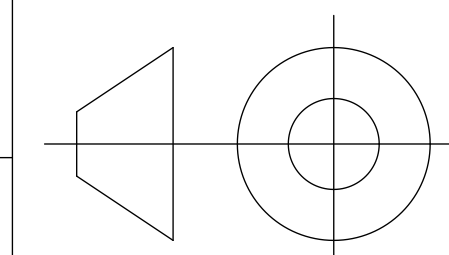
Q1-Q2
G3/4"(W1068)
Thread connection

Q3-Q4
H7/8"(H1075)
Solder connection



ID	RIDAN Code	Drawing No.	Model	Plates(n)	A	Weight	Volume
1	111B0237R	23013224- 01	020W	24	65	2.94Kg	Q1Q2:0.504L/Q3Q4:0.462L
2	111B0239R	23013224- 02	020W	38	97	4.13Kg	Q1Q2:0.798L/Q3Q4:0.756L
3	111B0241R	23013224- 03	020W	54	133	5.49Kg	Q1Q2:1.134L/Q3Q4:1.092L
4	111B0243R	23013224- 04	020W	72	173	7.02Kg	Q1Q2:1.512L/Q3Q4:1.47L

DESIGN DATA	
DESIGN PRESSURE	4.5MPa
TEST PRESSURE	6.75MPa
DESIGN TEMPERATURE	-196/+225
LEAKAGE TEST	Helium Test
PLATE MATERIAL	316L
PIPE MATERIAL	304
FRAME MATERIAL	304

Assembly drawing	DEPARTMENT	Sales Department	DATE	SCALE	 RD-020W-n-4,5-H-Q3Q4 DESIGNATION: (H7/8")/Q1Q2(G3/4")
	DESIGNER	JLN	2023/06/ 16		
	INSPECTOR	ZJF			
	APPROVAL	FL			
DRAWING NO. 23013224			REV. 0		